



Microsaic Systems

Bringing mass spectrometry down to size

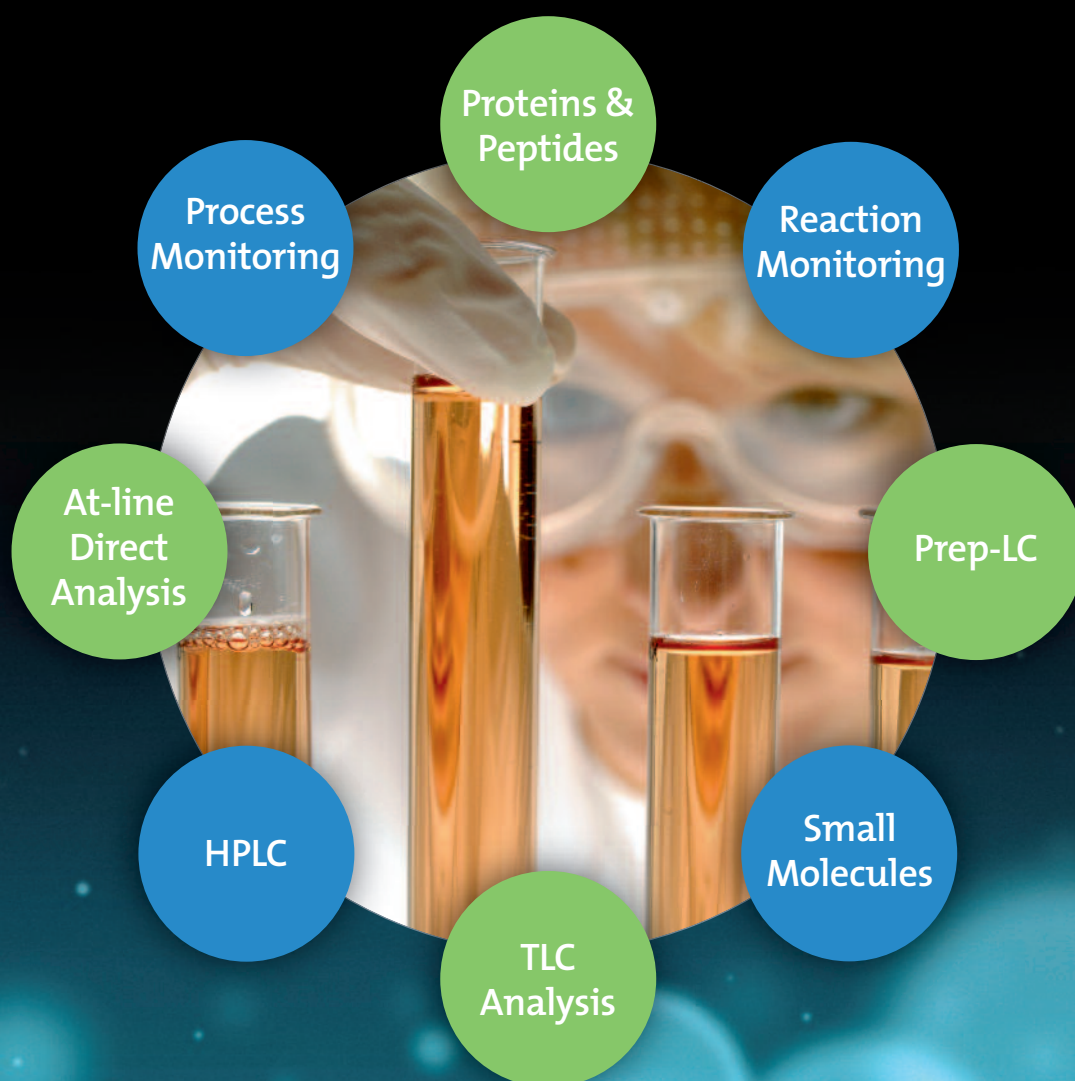


An evolution in detection

# Increase your workflow efficiency with miniaturised deployable mass detection

Market requirements  
Focussed R&D  
for

## OEM

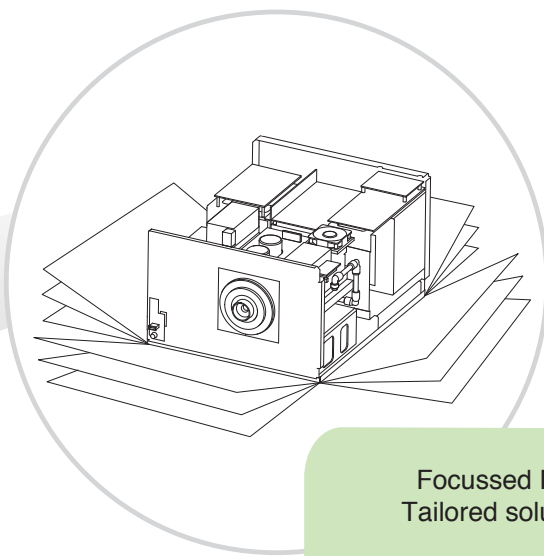


Bringing mass spectrometry down to size



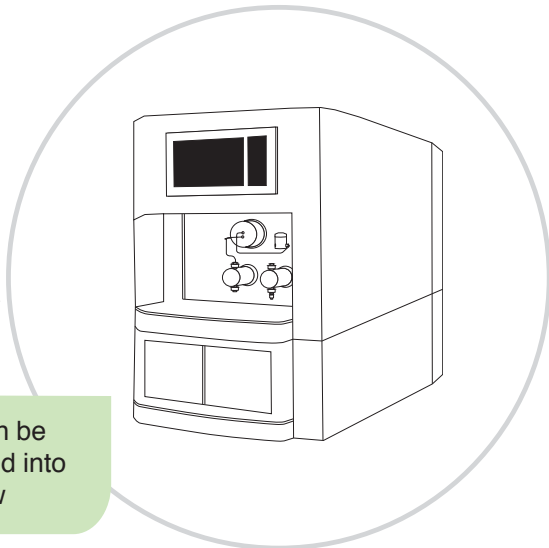
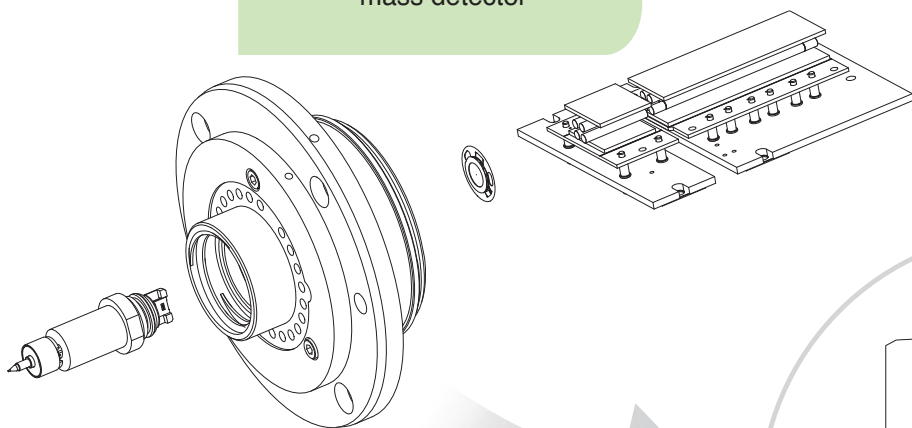
Our core business strategy is to engage with OEM partners who are looking for a competitive edge and to provide their customers with significant workflow improvements.

Whether you are looking to license and integrate key Microsaic chip based components or fully integrate the 4000MiD® into your existing hardware, we can partner across any industry sector.

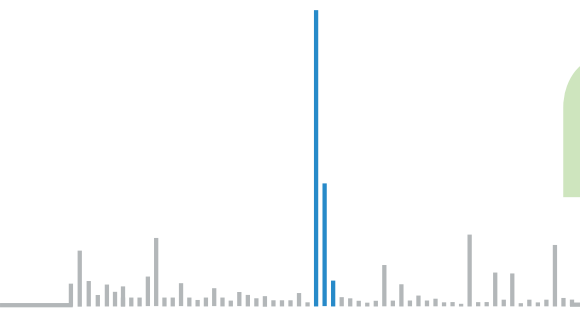


Focussed R&D  
Tailored solutions

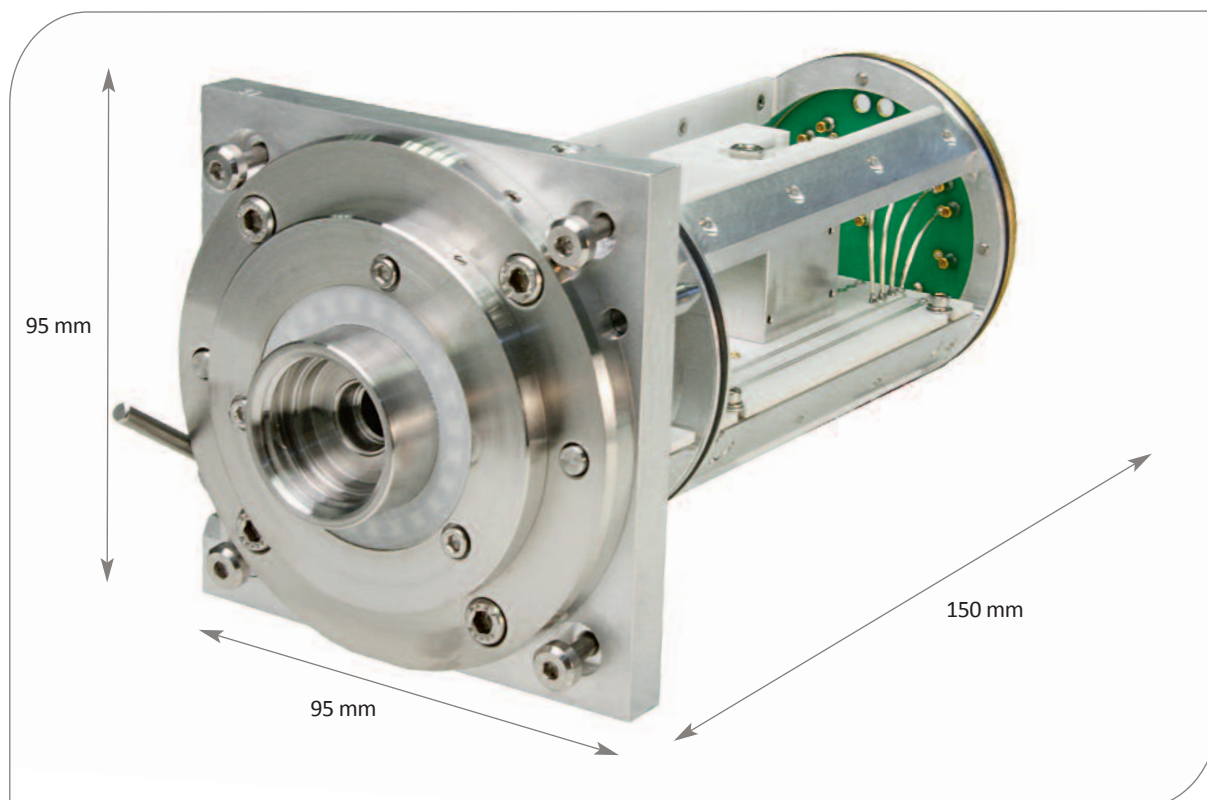
Core of your miniature  
mass detector



Our technology can be  
seamlessly integrated into  
YOUR workflow



## Ion optics



## 4000 MiD<sup>®</sup> specifications

Mass Analyser	Single Quadrupole
Ionization Modes	ESI +ve and -ve
Scan Modes	Full scan, SIM, interleaved
Mass Range	m/z 50 to m/z 800 (IonChip <sup>®</sup> 150)
Computer	Built-in PC
Mass Accuracy	m/z $\pm$ 0.3 (Full Scan)
Pumping System	Internal oil-free pumps
Mass Resolution	m/z 0.7 (FWHM)
Nitrogen Gas Requirements	2.5 L/min, 99.5 % purity, 2-6 bar (29-87 psi) pressure
Sensitivity	ppb
Dimensions	55 cm x 35 cm x 25 cm (22x14x10 in – LxWxH)
Power Requirements	100-240 V AC, 50-60 Hz, 250-300 W
Weight OEM chips	200 g (0.44 lbs)
Weight 4000 MiD <sup>®</sup>	32 kg (70 lbs)



Microsaic Systems

## MiDas™ compact interface module

Enabling simple deployment of mass detection in a wide range of on-line and off-line applications

- Prep & Semi-Prep LC
- On-line Reaction & Process Monitoring
- At-line Direct Analysis
- Isocratic LC-MS
- TLC-MS



Microsaic Systems plc  
Milton Park  
154k Brook Drive  
Abingdon  
Oxfordshire  
OX14 4SD

E: [info@microsaic.com](mailto:info@microsaic.com)



@microsaic

[microsaic.com](http://microsaic.com)